



A900-PM

Pole Mount Kit for Ceiling Array Microphones

Shure A900-PM Pole Mount Kit user guide. Mount MXA920 microphones on standard 1.5-inch threaded NPT pole using the included VESA bracket.

Version: 0.2 (2023-C)

Table of Contents

A900-PM Pole Mount Kit for Ceiling Array Microphones		What's in the Box	3
A900-PM Pole Mount Kit	3	Attaching Microphones to 1.5 in. Threaded NPT Pole	4
Compatible Microphones	3	IMPORTANT SAFETY INSTRUCTIONS	9
		Contact Customer Support	10

A900-PM Pole Mount Kit for Ceiling Array Microphones

A900-PM Pole Mount Kit

Shure's A900-PM Pole Mount Kit includes parts to install MXA920 series microphones on standard 1.5-inch diameter threaded NPT poles (pole not included). Install the pole on the ceiling plate, and then attach the microphone using the VESA bracket for a simple mounting solution.

[A900-PM-3/8IN](#) also available for installation on 3/8-inch diameter threaded rod.

Model Variations:

- A900-S-PM: Square Pole Mount Kit
- A900B-R-PM: Round Pole Mount Kit with black cover
- A900W-R-PM: Round Pole Mount Kit with white cover

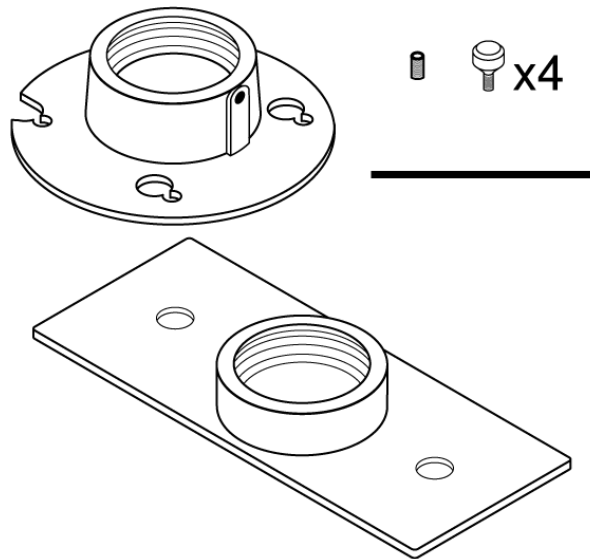
Compatible Microphones

This accessory works with all MXA920 series microphones.

What's in the Box

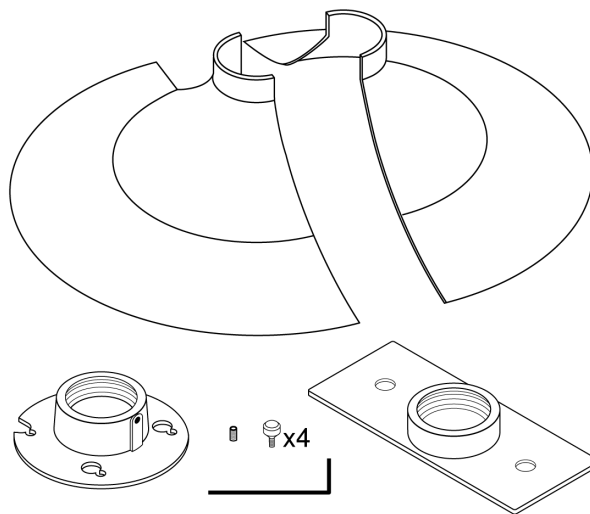
A900-S-PM kit:

- VESA bracket and set screw
- Thumb screws (4)
- Allen key (M4)
- Peerless [ACC560 ceiling plate](#) and mounting hardware



A900-R-PM kit:

- Pole mount cover (black or white)
- VESA bracket and set screw
- Thumb screws (4)
- Allen key (M4)
- Peerless [ACC560 ceiling plate](#) and mounting hardware



Attaching Microphones to 1.5 in. Threaded NPT Pole

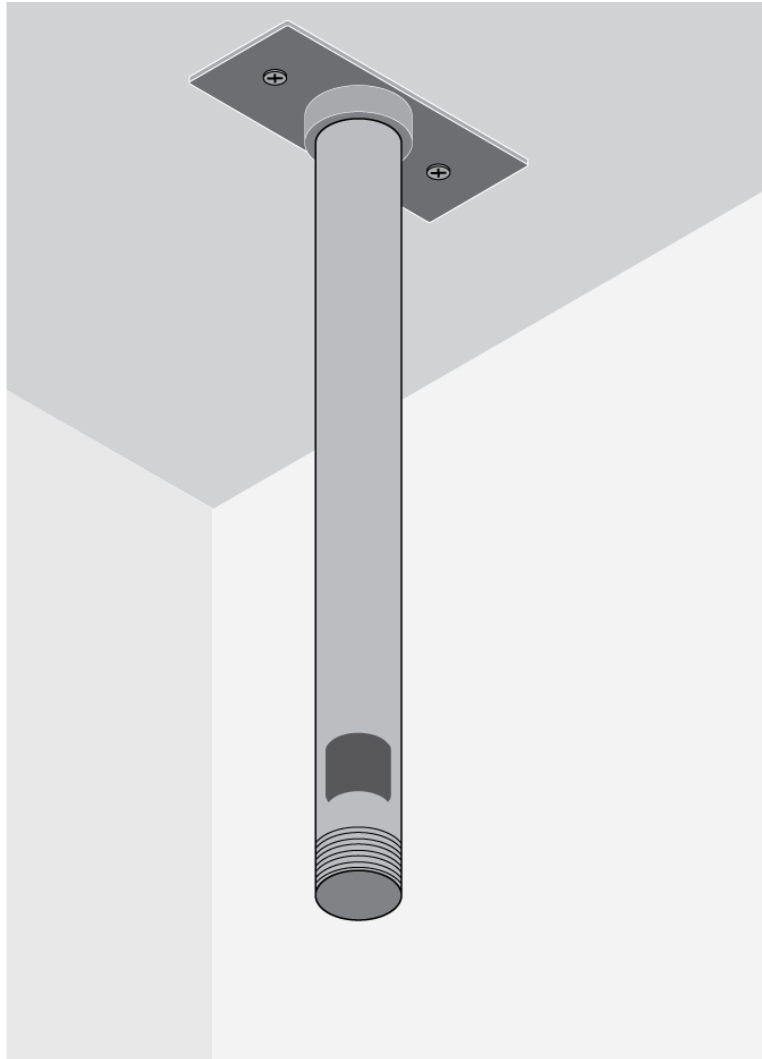
To get started, you will need:

- A900-PM kit
- 1.5 in. diameter threaded NPT pole*
 - Must include cable exit

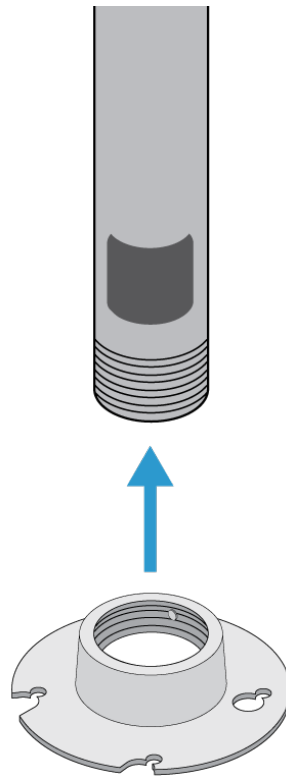
- Adjustable extension poles with a larger bottom diameter may not fit the round pole mount cover
- Ethernet cable*

*Not included

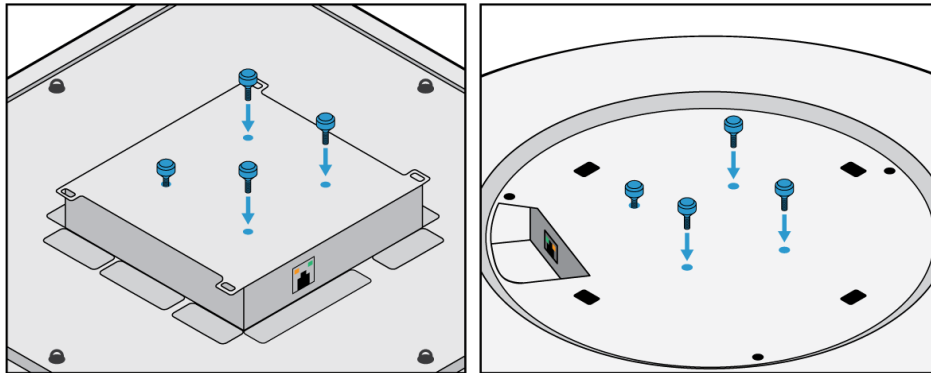
1. Install the [Peerless ceiling plate](#) according to the included instructions.
2. Route the Ethernet cable through the ceiling plate and the pole. Thread the pole onto the ceiling plate.



3. Thread the VESA bracket onto the pole.



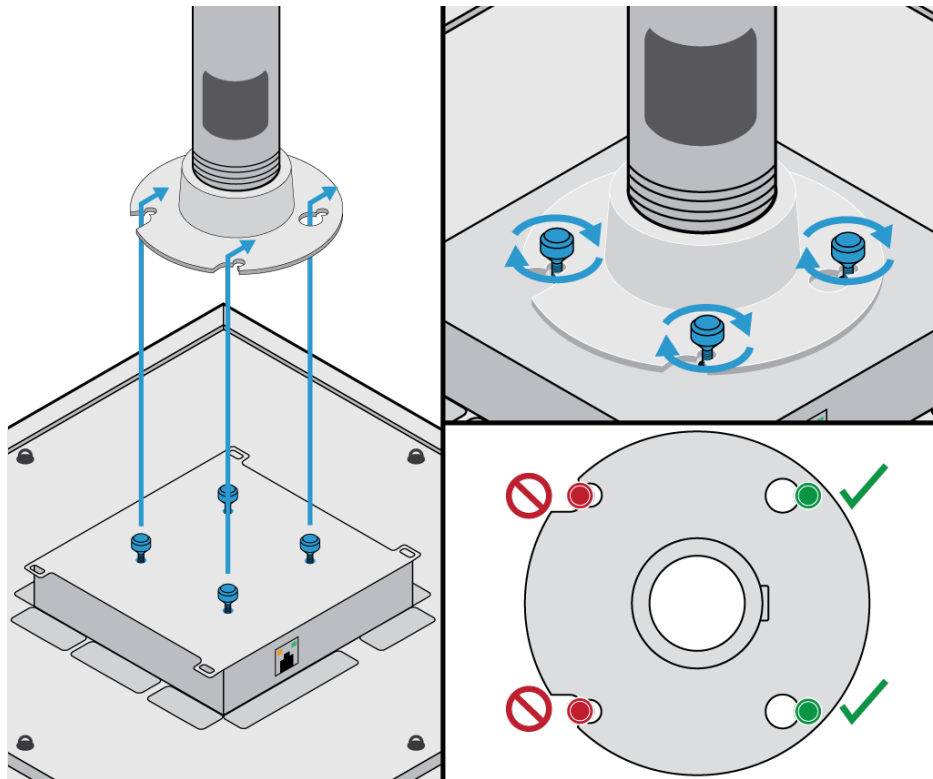
4. Partially thread the thumb screws into the microphone.



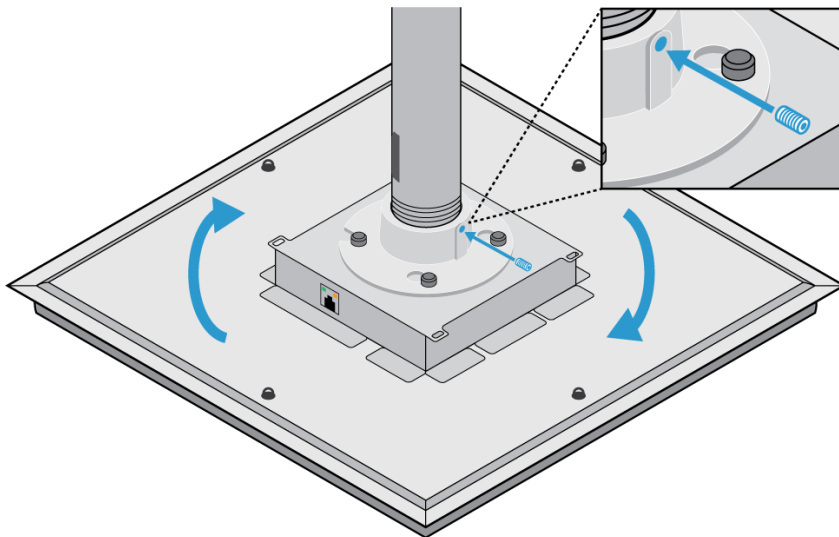
5. Lift the microphone and align the thumb screws with the holes in the VESA bracket. Tighten the thumb screws to secure the microphone to the VESA bracket.

Important: Before tightening, make sure that the thumb screws are properly seated in the VESA bracket.

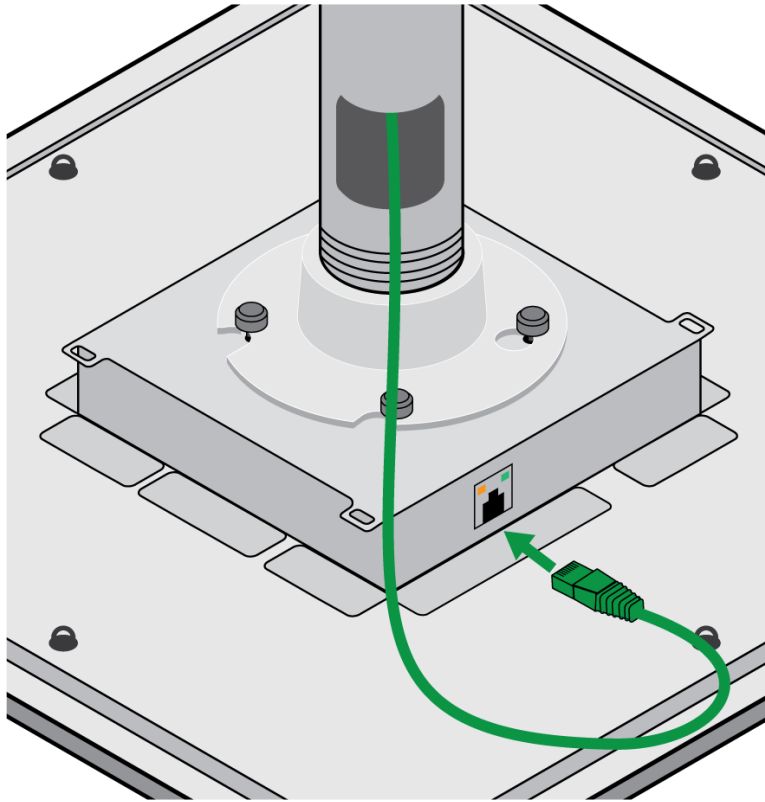
When installing on short poles, it's easiest to check alignment from the side with the enclosed keyholes.



6. Rotate the microphone to your preferred position. Tighten the VESA bracket's set screw with the Allen key to lock the position.



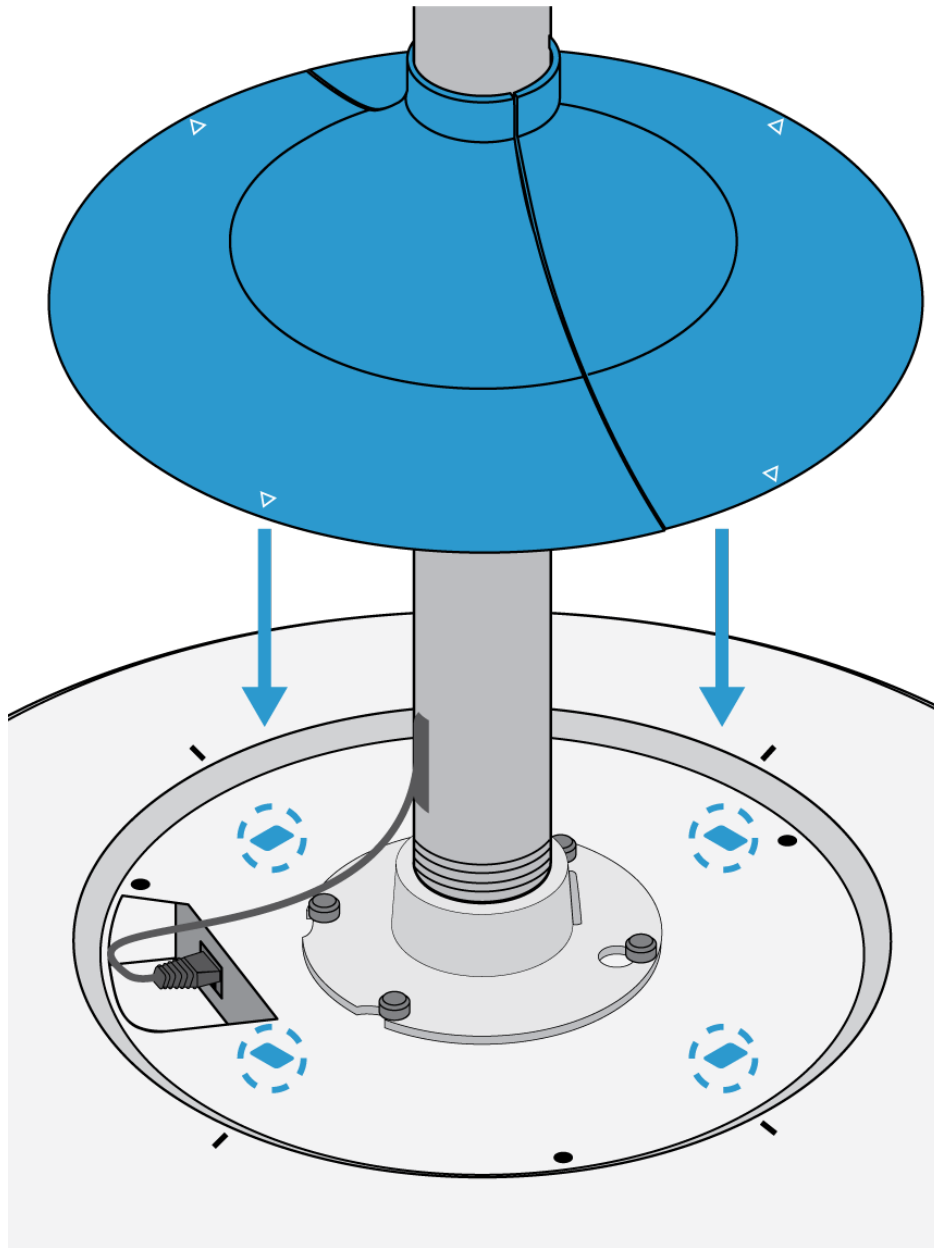
7. Connect the Ethernet cable to the microphone.



8. **Round microphones:** Before attaching the pole mount cover, use the Allen key to loosen and remove the installed eyelet screws.

Snap together the 2 halves of the pole mount cover around the pole. Attach the pole mount cover to the microphone. The cover's 4 clips snap into the 4 square holes on the microphone.

Tip: To remove the cover, insert a credit card at the embossed triangles to release the clips.



IMPORTANT SAFETY INSTRUCTIONS

1. READ these instructions.
2. KEEP these instructions.
3. HEED all warnings.
4. FOLLOW all instructions.
5. DO NOT use this apparatus near water.
6. CLEAN ONLY with dry cloth.
7. DO NOT block any ventilation openings. Allow sufficient distances for adequate ventilation and install in accordance with the manufacturer's instructions.
8. DO NOT install near any heat sources such as open flames, radiators, heat registers, stoves, or other apparatus (including amplifiers) that produce heat. Do not place any open flame sources on the product.

9. DO NOT defeat the safety purpose of the polarized or grounding type plug. A polarized plug has two blades with one wider than the other. A grounding type plug has two blades and a third grounding prong. The wider blade or the third prong are provided for your safety. If the provided plug does not fit into your outlet, consult an electrician for replacement of the obsolete outlet.
10. PROTECT the power cord from being walked on or pinched, particularly at plugs, convenience receptacles, and the point where they exit from the apparatus.
11. ONLY USE attachments/accessories specified by the manufacturer.
12. USE only with a cart, stand, tripod, bracket, or table specified by the manufacturer, or sold with the apparatus. When a cart is used, use caution when moving the cart/apparatus combination to avoid injury from tip-over.



13. UNPLUG this apparatus during lightning storms or when unused for long periods of time.
14. REFER all servicing to qualified service personnel. Servicing is required when the apparatus has been damaged in any way, such as power supply cord or plug is damaged, liquid has been spilled or objects have fallen into the apparatus, the apparatus has been exposed to rain or moisture, does not operate normally, or has been dropped.
15. DO NOT expose the apparatus to dripping and splashing. DO NOT put objects filled with liquids, such as vases, on the apparatus.
16. The MAINS plug or an appliance coupler shall remain readily operable.
17. The airborne noise of the Apparatus does not exceed 70dB (A).
18. Apparatus with CLASS I construction shall be connected to a MAINS socket outlet with a protective earthing connection.
19. To reduce the risk of fire or electric shock, do not expose this apparatus to rain or moisture.
20. Do not attempt to modify this product. Doing so could result in personal injury and/or product failure.
21. Operate this product within its specified operating temperature range.

	This symbol indicates that dangerous voltage constituting a risk of electric shock is present within this unit.
	This symbol indicates that there are important operating and maintenance instructions in the literature accompanying this unit.

Contact Customer Support

Didn't find what you need? [Contact our customer support](#) to get help.